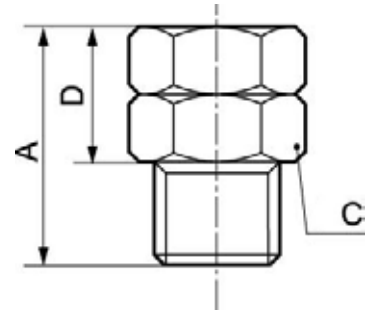


STAINLESS STEEL FITTINGS 316L

Swivel fitting



Min / Max operating pressure

0 / 25 bar

Part number	Male thread	Female thread	Dim. A (mm)	Dim. C (mm)	Dim. D (mm)
A35 1212I	G1/2	G1/2	40	22	28
A35 1234I	G1/2	G3/4	40	30	28